



**Structure**

**WPC**

**Doors**



Structure



**Sarvesh<sup>®</sup>**

## ABOUT US

Sarvesh Multi-Plast India Pvt.Ltd. is a top notch name in the field of uPVC and PVC manufacturing in India. Our company has earned a reputation for delivering high-quality products and professional services. Our journey began in 2009 in Chennai, Tamil Nadu with the vision of our founder, M. Govindasamy, to establish a business that would cater to the growing infrastructure needs of Tamil Nadu. Today, our success speaks for itself, as we have expanded our influence across India.

Over the last thirteen years, the Sarvesh Group has built two manufacturing units in Erode district with an impressive annual production capacity of Forty thousand metric tonnes (40000 MT). As a result, Sarvesh Multi-Plast India Pvt, Ltd. has emerged as one of the top manufacturers of UPVC, PVC, Foamboard and WPC in the country. Our diverse range of products includes sub-brands like Eroline, Erowood, Whitewood, Fixit and Erolam.

Our commitment to quality and customer satisfaction has been the driving force behind our growth and success. At Sarvesh Multi-Plast India Pvt, Ltd., we adhere to stringent quality standards and invest in cutting-edge technology to ensure that our products meet the highest industry standards. Our team of professionals is dedicated to providing exceptional service, and we strive to build long-lasting relationships with our clients.

We take pride in our achievements and look forward to continued growth and success in the years to come. As we expand our reach, we remain committed to our core values of quality, innovation and customer satisfaction.



## Our Vision

To expand the manufacturing of uPVC and PVC globally and become the leading interior and exterior brand.

## Our Mission

We are dedicated to delivering top-class, globally relevant products while fostering the best working environment to support our employees in driving our success.

## Goal

Our aim is to distribute the product in every state across India.





# CERTIFICATION & APPROVALS

## ISO CERTIFICATION



9001:2015

ISO9001 Quality management system certification



14001:2018

ISO14001 Environmental management system certification



45001:2015

ISO45001 Occupational health and safety management system certification



IS 17953:2023



6500069278

we are the First manufacturer of uPVC profiles with ISI standards in India.

## WHAT IS STRUCTURE WPC ?

"Our structure WPC doors are a revolutionary alternative to traditional wooden doors, offering a perfect blend of style, durability, and affordability. Made from a unique combination of wood fibers and plastic materials, these doors feature a hollow core that makes them incredibly lightweight and easy to install. With a robust WPC skin that provides exceptional resistance to warping, cracking, and fading, our structure WPC doors are designed to withstand the test of time. Ideal for interior and exterior applications, these doors are not only aesthetically pleasing but also offer excellent thermal and sound insulation, making them an excellent choice for modern homes and offices."



# DOOR FEATURES



## Health and Environmental Protection

One-time extrusion by using polymer materials, ECO friendly.



## Waterproof and moisture-proof

Water-proof, moisture-proof and anti-corrosion, can be soaked in water for a long time without deformation.



## Anti-bacterial

The surface is treated with a special process, and the surface protective layer can effectively inhibit the formation of bacteria and prevent cross-infection.



## Fire retardant

Does not support combustion when exposed to fire and is not flammable. The flame retardant performance level reaches the national Class B standard.



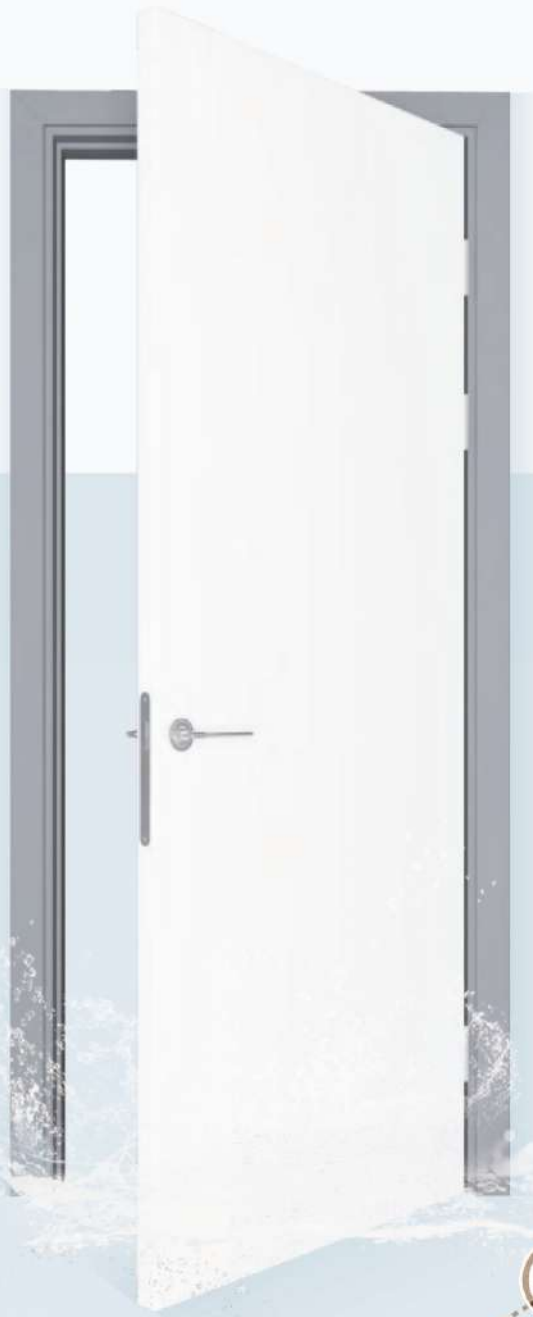
## Strong and durable

Produced by using the CELUKA process, the product has a tensile strength of 18MPa and an impact strength of 27kJ/m. It is durable for 30 years.



## Easy to clean

The surface adopts high-tech nano-treatment technology, which is scratch-resistant and does not fade in color. It can be washed directly with water, which completely solves the problem of household products that are easy to get dirty and difficult to clean.



# WPC DOOR SERIES



**Water  
Proof**



**Weather  
Proof**



**Termite  
Proof**



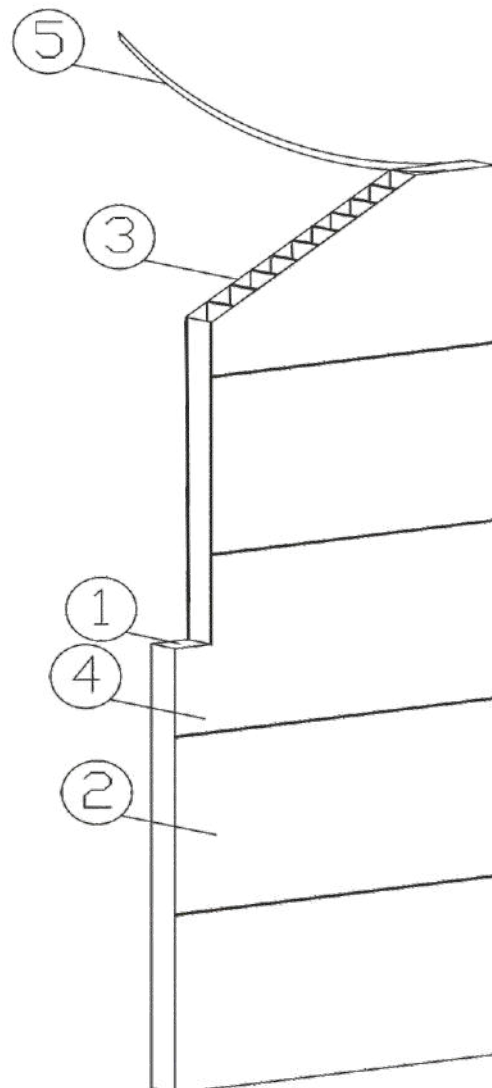
**0%  
Maintenance**



## SPECIFICATION

- ❶ 40mm+ Solid end wall thickness for hinges
- ❷ 6mm+ Surface thickness
- ❸ One time extrusion profile, 100% WPC material, thickness 35mm
- ❹ 5mm thickness skin for CNC design
- ❺ High quality PVC sealing with PUR hot glue

DOOR LEAF 35MM





**Water  
Proof**



**Weather  
Proof**



**Termite  
Proof**



**0%  
Maintenance**



P series



R series



RS series





**Water  
Proof**



**Weather  
Proof**



**Termite  
Proof**



**0%  
Maintenance**



P series



R series



RS series

Mesmerizing  
Shades and  
Textures



R series



RS series

## FRAME

### Key Features

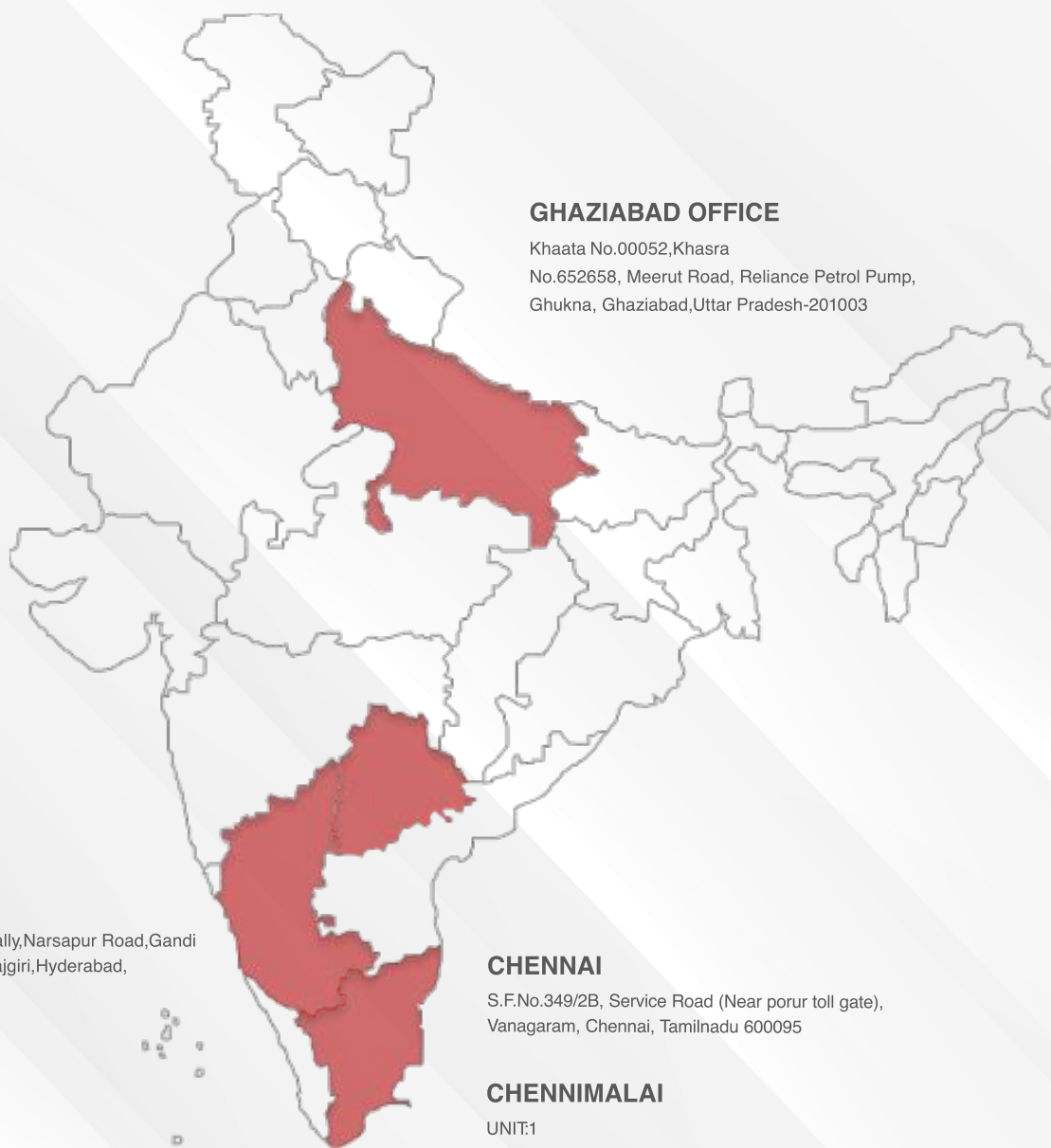
- Our structure WPC doors comes with a Inbuilt Architrave frame, with a optimal door thickness of 35mm.
- Frames are provided with gasket for preventing dust and small particles to enter the door.
- Thickness of wall can be varied from 5.5" - 6.00".



## COLOUR VARIETIES



# OUR LOCATIONS



## GAZIABAD OFFICE

Khaata No.00052,Khasra  
No.652658, Meerut Road, Reliance Petrol Pump,  
Ghukna, Ghaziabad,Uttar Pradesh-201003

## HYDERABAD

231/A,Dommarra Pochampally,Narsapur Road,Gandi  
Maisamma, Medchal Malkajgiri,Hyderabad,  
Telangana-500042

## BANGALORE

PlotNo:3, Sy.No.58/1, Singasandra Village, Begur  
Hobli,Hosur Main Road, Near Bharat Petrol Pump,  
Bangalore - 560068

## CHENNAI

S.F.No.349/2B, Service Road (Near porur toll gate),  
Vanagaram, Chennai, Tamilnadu 600095

## CHENNIMALAI

UNIT:1  
S.F No:367/1,Kothampalayam,Mugasipidariyur  
Post, Chennimalai,Tamilnadu 6382051

## PERUNDURAI

UNIT:2  
S.F.No:296/1-3,paniampalli,Chennimalai-A-  
Village, Thoppupalayam post, taluk,  
Perundurai, 638051



A Product of  
**Sarvesh**

## **SARVESH MULTI PLAST INDIA PVT.LTD**

S.F.NO.: 367/1, Kothampalayam, M.Pidariyur (Po), Chennimalai,  
Erode Dt., Tamilnadu. Phone : 04294 - 230264  
Mobile : +91 94453 91928 Toll Free : 1800 2030 355  
Email: info@sarvesh.net.in

Sarvesh-Multiplast-India-pvt-Ltd



sarvesh\_multiplast

